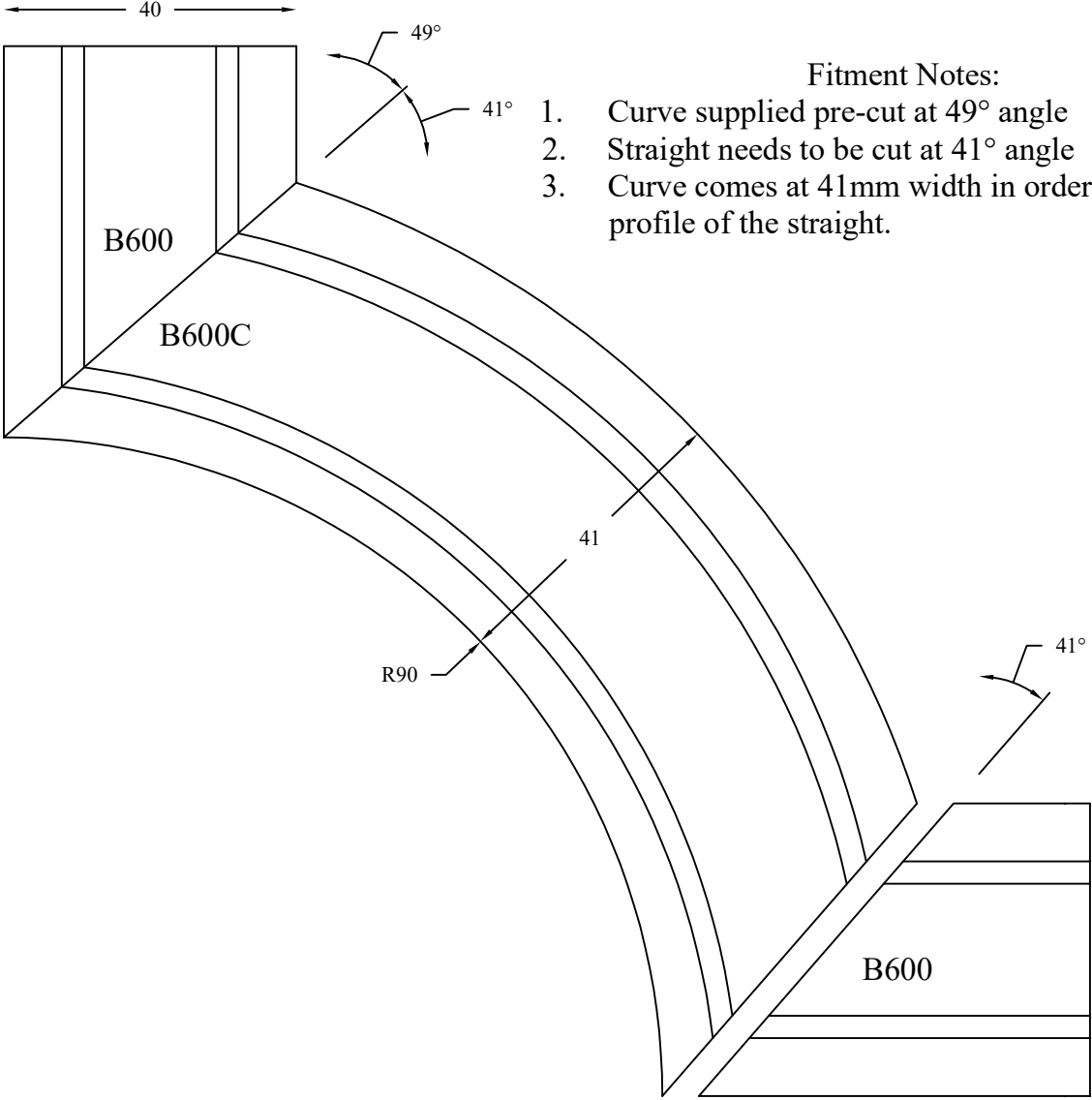
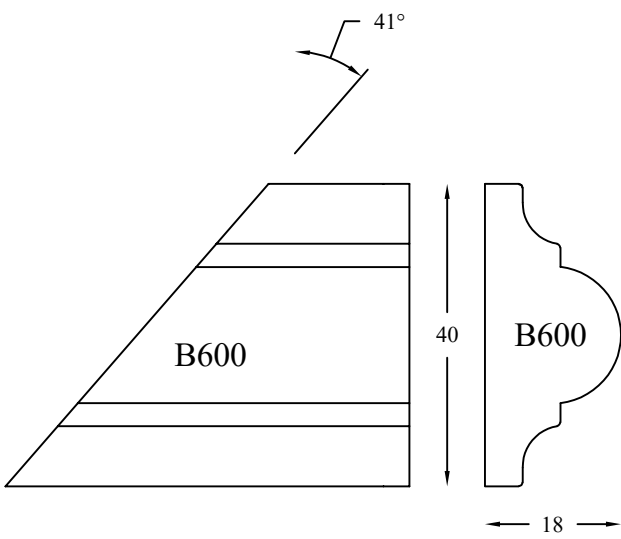


B 600C



- Fitment Notes:
- 1. Curve supplied pre-cut at 49° angle
 - 2. Straight needs to be cut at 41° angle
 - 3. Curve comes at 41mm width in order to match the profile of the straight.



Straight needs to be cut at 41° angle